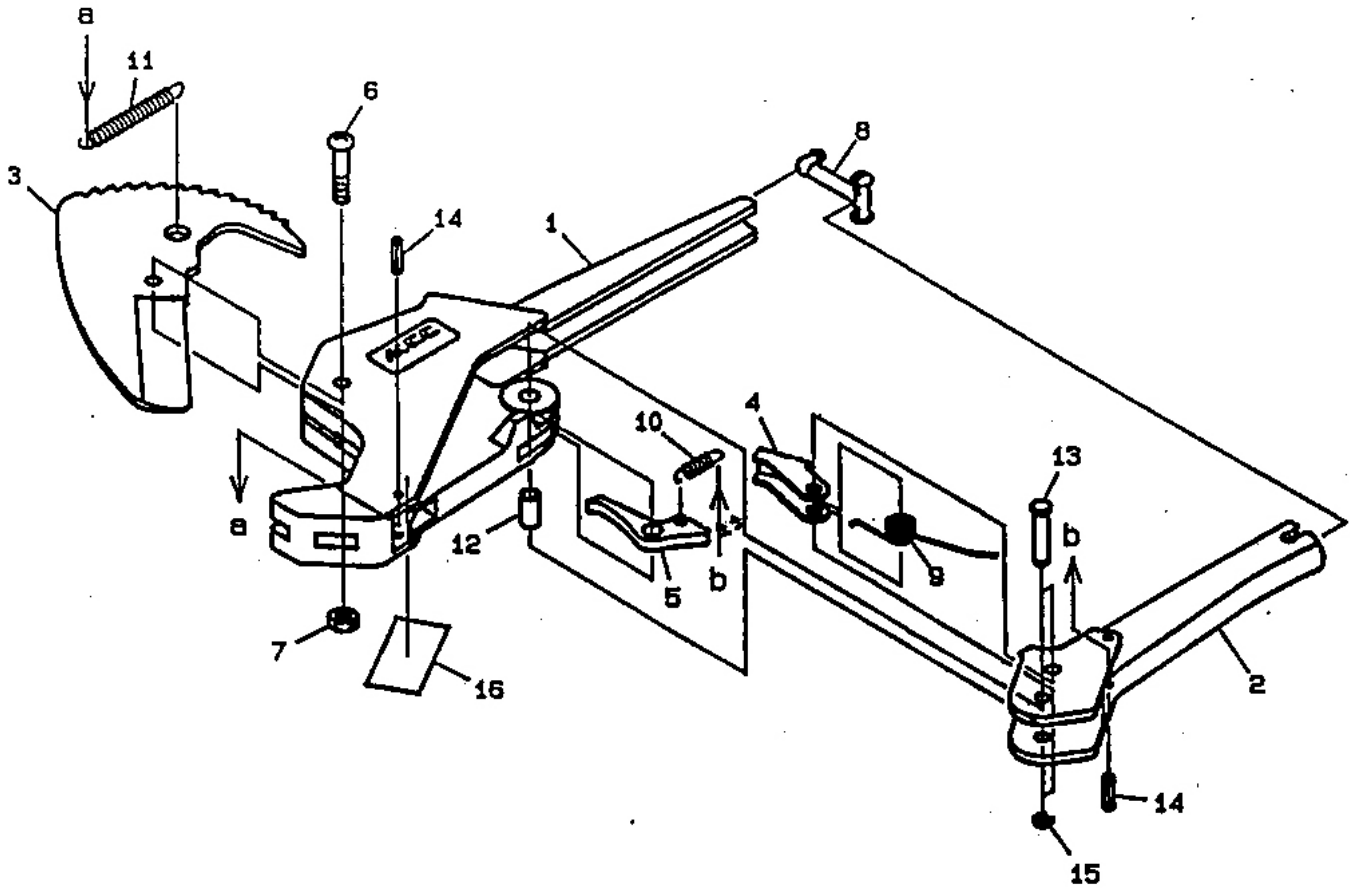


PVC CUTTER
PVC-63



No.	Part Name
1	Handle (Right)
2	Handle (Left)
3	Blade
4	Ratchet
5	Pawl
6	Bolt for Blade
7	Lock Nut
8	Hook
9	Ratchet Spring
10	Pulled Coil Spring(1)
11	Pulled Coil Spring
12	Collar
13	Pin
14	Wave Spring AW($\phi 3 \times 24$)
15	E-Ring