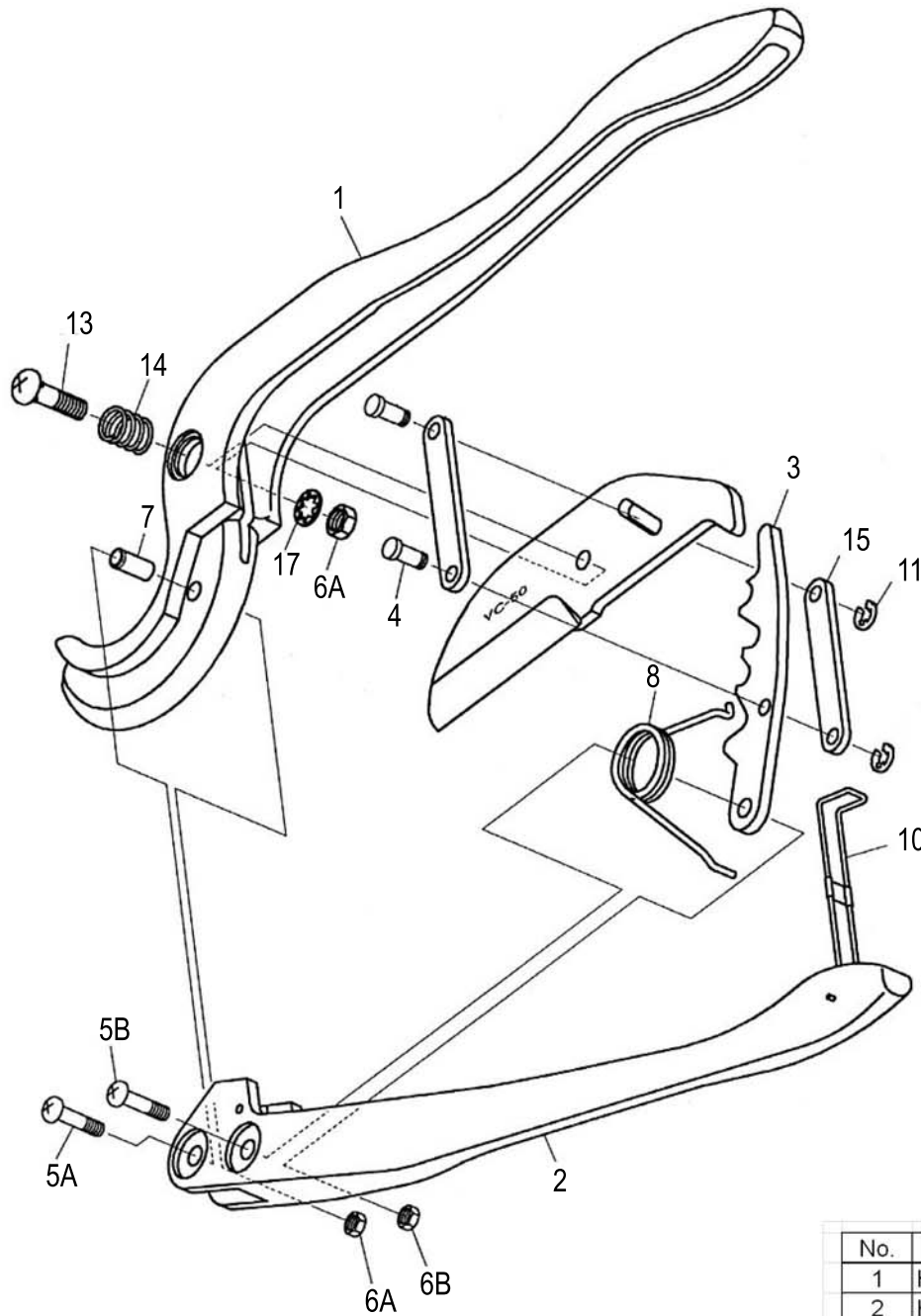


2" PVC PIPE CUTTER (Long Handle)  
 MODEL NO.: VC-0163



No.	Parts	Qty
1	Handle (Right)	1
2	Handle (Left)	1
3	Ratchet Lever	1
4	Pin	2
5A	Bolt-A	1
5B	Bolt-B	1
6A	Lock Nut-A	2
6B	Lock Nut-B	1
7	Bush	1
8	Spring (L)	1
10	Hook	1
11	E-Ring	2
13	Bolt for Blade	1
14	Coil Spring	1
15	Link	2
17	Tooth Lock Washer	1