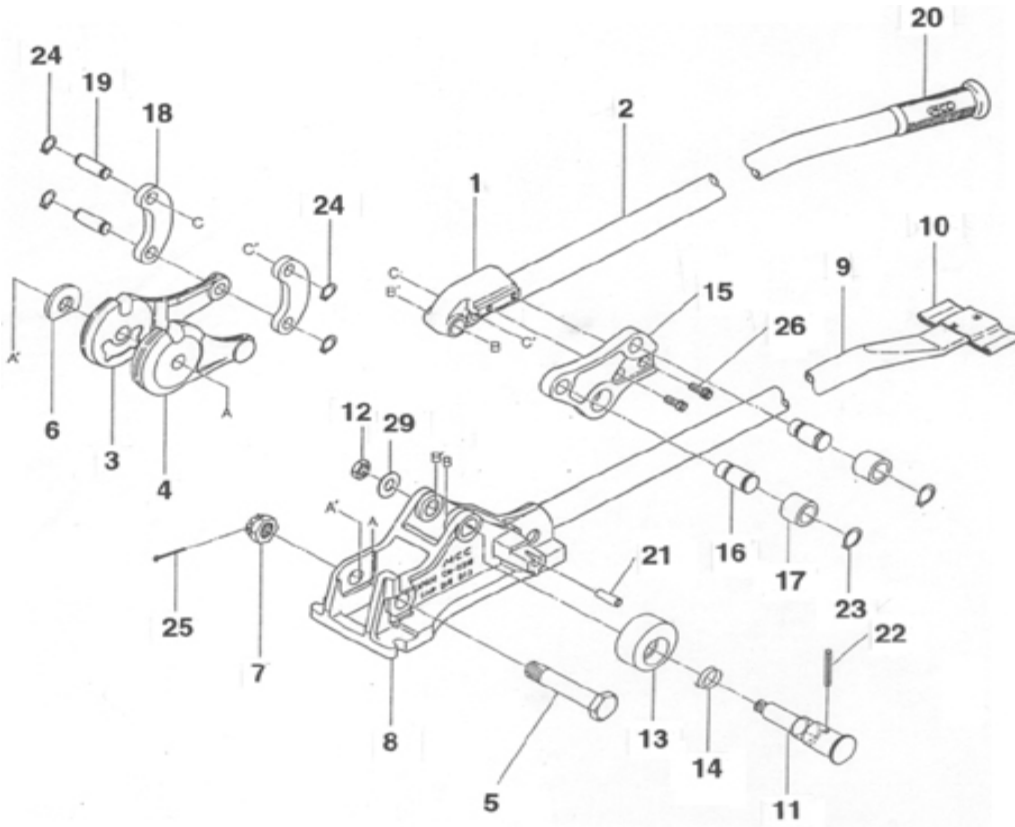


**CUT BENDER**  
CB-0216 (CB-16)



No.	Part Name
1-2	Handle
3	Jaw Blade (Right)
4	Jaw Blade (Left)
5	Center Bolt
6	Washer
7	Castle Nut
8-9-10	Frame, Base Handle with Pedal
11	Handle Bolt
12	Lock Nut (M15)
13	Large Roller
14	Coil Spring
15	Arm
16	Roller Pin
17	Roller
18	Link
19	Link Pin
20	Grip
21	Spring Pin
22	Spring Pin
23	Retaining C-Ring #22
24	Retaining C-Ring #15
25	Split Pin
26	Cap Screw
29	Washer